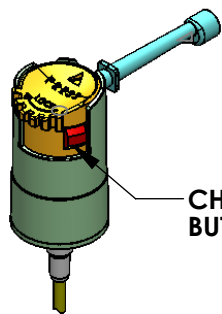
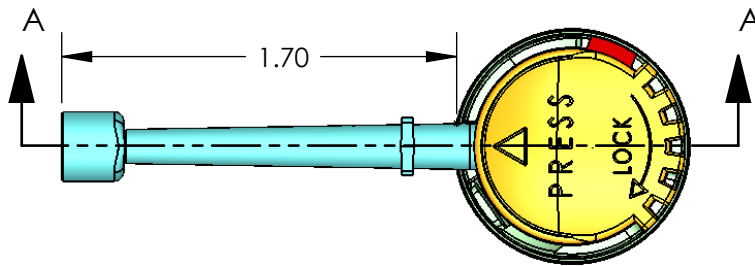


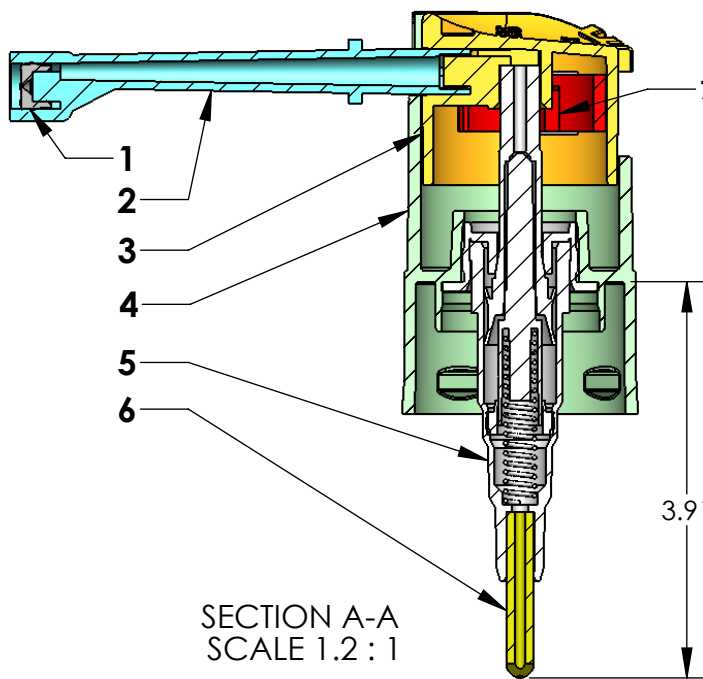
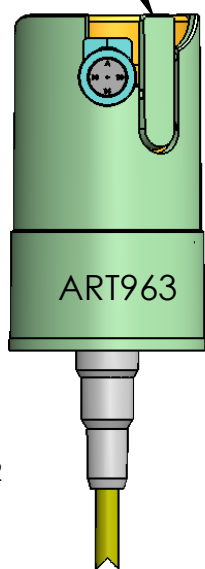
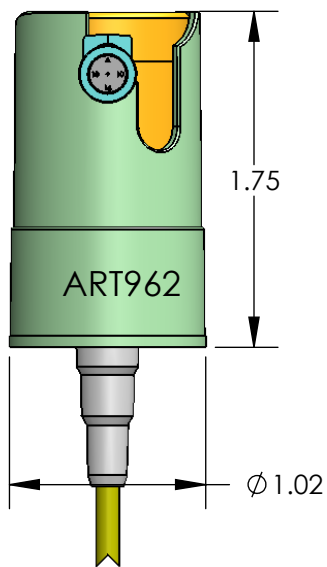
PUMP OPTIONS	ART SERIES	SPRAY OPTIONS
160 mcl standard spray	CHILD RESISTANT LOCK	NARROW SPRAY
190 mcl standard spray		WIDE SPRAY



CHILD RESISTANT  
BUTTON LOCK



WITH OR WITHOUT  
TAMPER EVIDENT  
TAB



SECTION A-A  
SCALE 1.2 : 1

**RAW MATERIAL USED for 4 VARIATIONS**

ITEM	NAME	PART #	MATERIAL
1	INSERT	PE001, PE002	ACETAL
2	EXTENDER	E001-000	HDPE, ACETAL
3	ACTUATOR	MA064	HDPE, ACETAL
4	CAP	MB062	POLYPRO
5	PUMP	PDO15, PD017	SEE PUMP SHEET
6	DIP TUBE	PT009	LDPE, HDPE
7	CR BUTTON	MT-001	ACETAL

<p><b>PROPRIETARY AND CONFIDENTIAL</b> THE INFORMATION CONTAINED IN THIS DRAWING IS THE SOLE PROPERTY OF <b>Packaging Concepts Assoc.,LLC</b>. ANY REPRODUCTION IN PART OR AS A WHOLE WITHOUT THE WRITTEN PERMISSION OF <b>Packaging Concepts Assoc.,LLC</b> IS PROHIBITED.</p>			<p>DIMENSIONS ARE IN INCHES TOLERANCES: FRACTIONAL ± ANGULAR: MACH ± BEND ± TWO PLACE DECIMAL ± THREE PLACE DECIMAL ±</p>	NAME	DATE	<p><b>PACKAGING CONCEPTS ASSOC.,LLC</b> BOYNTON BEACH, FLORIDA <b>SNAP-ON SPRAYER</b> ART962 OR ART963 EXTENDED SPRAY</p>	
				DRAWN	HWD		7/8/18
				CHECKED			
				ENG APPR.			
				MFG APPR.			
				Q.A.			
				COMMENTS:			
	NEXT ASSY	USED ON	FINISH				
	APPLICATION		DO NOT SCALE DRAWING				