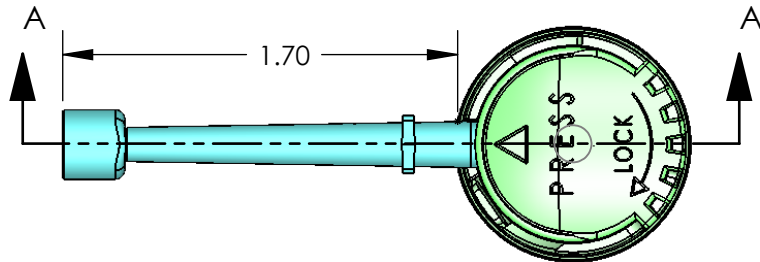
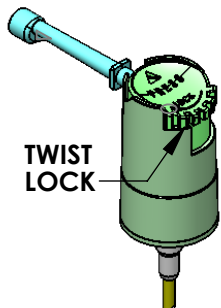
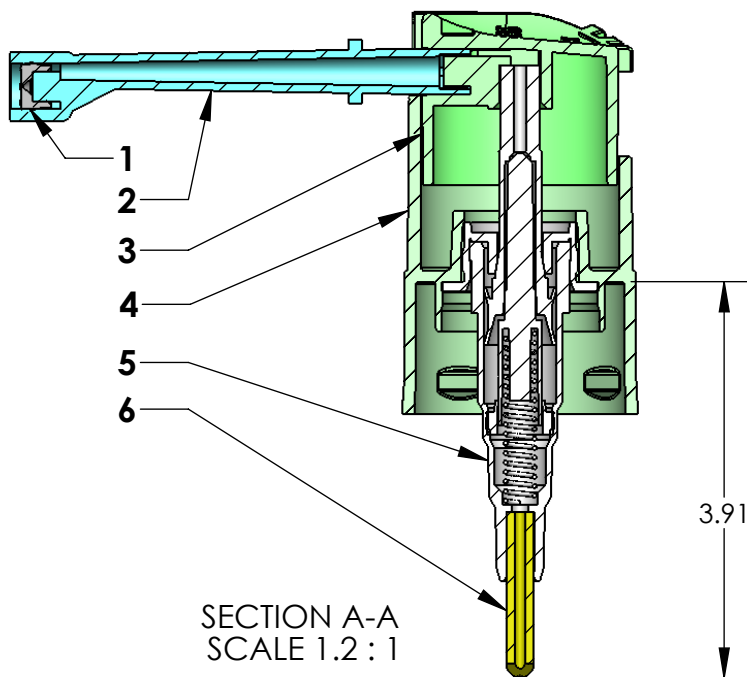
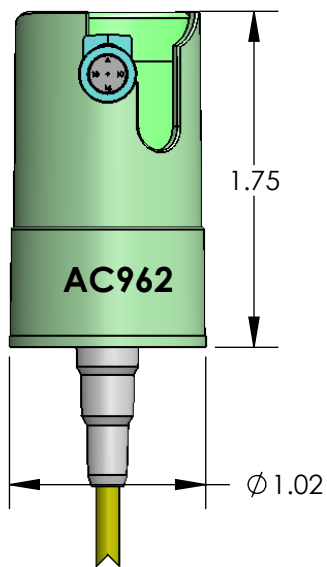


<b>PUMP OPTIONS</b>	<b>AC SERIES</b>	<b>SPRAY OPTIONS</b>
160 mcl standard spray	TWIST LOCK	NARROW SPRAY
190 mcl standard spray		WIDE SPRAY



WITH OR WITHOUT TAMPER EVIDENT TAB



**RAW MATERIAL USED for 4 VARIATIONS**

ITEM	NAME	PART #	MATERIAL
1	INSERT	PE001, PE002	ACETAL
2	EXTENDER	E001-000	HDPE, ACETAL
3	ACTUATOR	MA064	HDPE, ACETAL
4	CAP	MB062	POLYPRO
5	PUMP	PDO15, PD017	SEE PUMP SHEET
6	DIP TUBE	PT003, PT009	LDPE, HDPE
7			

<p><b>PROPRIETARY AND CONFIDENTIAL</b> THE INFORMATION CONTAINED IN THIS DRAWING IS THE SOLE PROPERTY OF <b>Packaging Concepts Assoc., LLC</b>. ANY REPRODUCTION IN PART OR AS A WHOLE WITHOUT THE WRITTEN PERMISSION OF <b>Packaging Concepts Assoc., LLC</b> IS PROHIBITED.</p>			DIMENSIONS ARE IN INCHES TOLERANCES: FRACTIONAL ± ANGULAR: MACH ± BEND ± TWO PLACE DECIMAL ± THREE PLACE DECIMAL ±	NAME	DATE	<p><b>PACKAGING CONCEPTS ASSOC., LLC</b> BOYNTON BEACH, FLORIDA</p> <p><b>SNAP-ON SPRAYER</b> AC962 OR AC963 EXTENDED SPRAY</p>	
			MATERIAL	DRAWN	HWD		7/8/18
			FINISH	CHECKED			
				ENG APPR.			
	NEXT ASSY	USED ON		MFG APPR.			
	APPLICATION		DO NOT SCALE DRAWING	Q.A.			
				COMMENTS:			
						SIZE DWG. NO. AC962 or AC963 REV.	
						SCALE: 1:1 WEIGHT: SHEET 1 OF 1	