

ARTV902

**1 FL OZ MPAK
CHILD RESISTANT
BUTTON LOCK
100 OR 130 MCL
DOSAGE**

NUMBER	DOSAGE	SPRAY
ARTV902B-000-1N	100 MCL	NARROW
ARTV902B-000-2G	100 MCL	WIDE
ARTV902B-000-3N	100 MCL	HIGH VISCOSITY
ARTV902C-000-1N	130 MCL	NARROW
ARTV902C-000-2G	130 MCL	WIDE
ARTV902C-000-3N	130 MCL	HIGH VISCOSITY

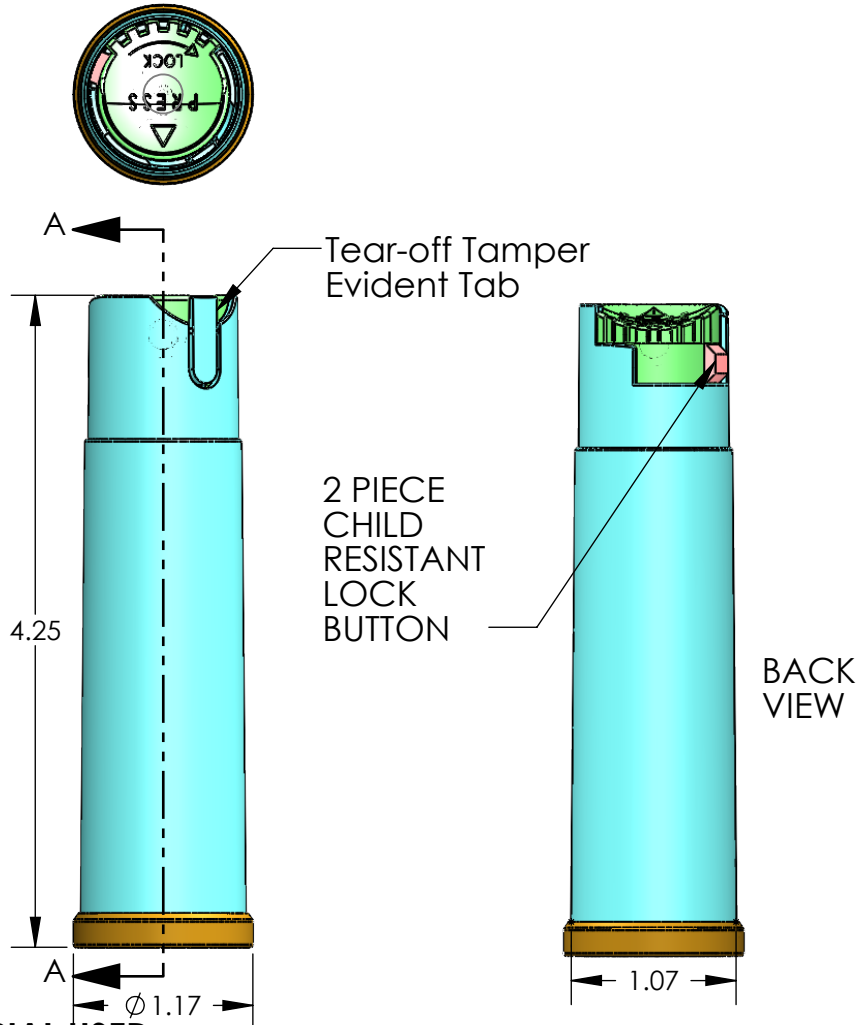
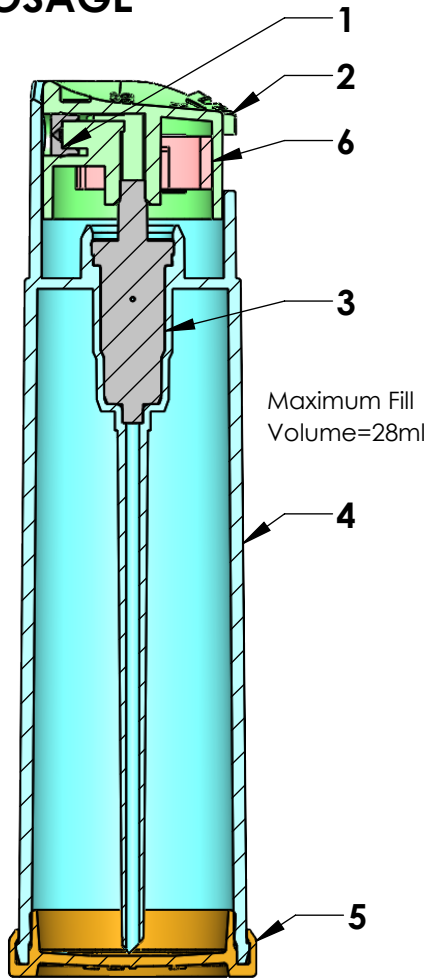


TABLE OF RAW MATERIAL USED

ITEM	COMPONENT	PART NUMBER	MATERIAL
1	SPRAY INSERT	PE001	ACETAL
	SPRAY INSERT	PE002	ACETAL
	SPRAY INSERT	PE003	ACETAL
2	ACTUATOR	MA057	ACETAL
	ACTUATOR	MA048	ACETAL
	ACTUATOR	MA049	ACETAL
	100 mcl PUMP	PD012	SEE DRAWING
	130 mcl PUMP	PD013	SEE DRAWING
4	BODY	MBV002	POLYPROPYLENE
5	CLOSURE	MC002	POLYPROPYLENE
6	BUTTON	MT	ACETAL



Rev. B 07/02/21 Add Max
Fill Volume=28ml
Rev. C 12/11/21 Add PE003
and MA057

PROPRIETARY AND CONFIDENTIAL
THE INFORMATION CONTAINED IN THIS DRAWING IS THE SOLE PROPERTY OF PACKAGING CONCEPTS ASSOCIATES. ANY REPRODUCTION IN PART OR AS A WHOLE WITHOUT THE WRITTEN PERMISSION OF PACKAGING CONCEPTS ASSOCIATES IS PROHIBITED.

		DIMENSIONS ARE IN INCHES TOLERANCES: FRACTIONAL ± ANGULAR: MACH ± BEND ± TWO PLACE DECIMAL ± THREE PLACE DECIMAL ±
		MATERIAL
NEXT ASSY	USED ON	FINISH
APPLICATION		DO NOT SCALE DRAWING

	NAME	DATE
DRAWN	HWD	7/19/16
CHECKED		
ENG APPR.		
MFG APPR.		
Q.A.		
COMMENTS:		

PACKAGING CONCEPTS ASSOCIATES 301 Ella Grasso Avenue Torrington, Connecticut 06790		
MPAK 1 FL OZ CHILD RESISTANT BUTTON VP4E PUMP		
SIZE A	DWG. NO. ARTV902	REV. C
SCALE: 1:1	WEIGHT:	SHEET 1 OF 1