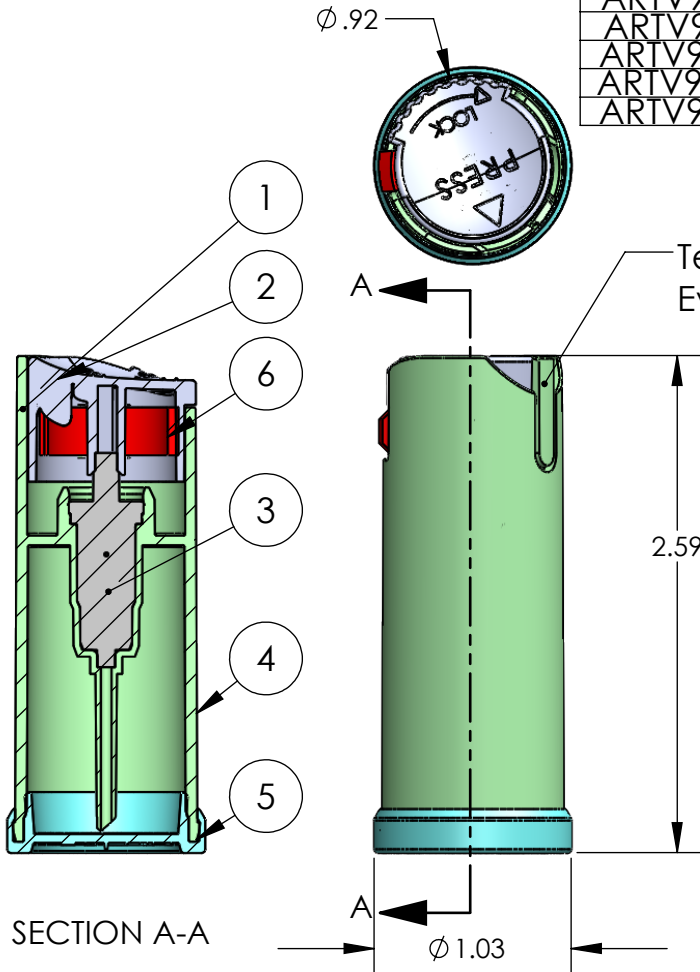


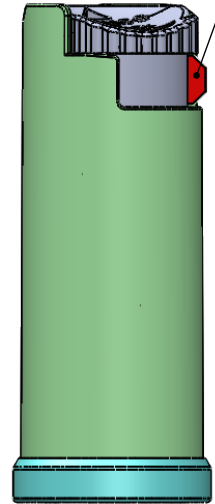
**CHILD RESISTANT 0.25 FL OZ MPAK  
WIDE OR NARROW SPRAY  
70, 100 OR 130MCL DOSAGE**

| NUMBER          | DOSAGE | SPRAY          |
|-----------------|--------|----------------|
| ARTV904A-000-1N | 70MCL  | NARROW         |
| ARTV904A-000-2G | 70MCL  | WIDE           |
| ARTV904A-000-3N | 70MCL  | HIGH VISCOSITY |
| ARTV904B-000-1N | 100MCL | NARROW         |
| ARTV904B-000-2G | 100MCL | WIDE           |
| ARTV904B-000-3N | 100MCL | HIGH VISCOSITY |
| ARTV904C-000-1N | 130MCL | NARROW         |
| ARTV904C-000-2G | 130MCL | WIDE           |
| ARTV904C-000-3N | 130MCL | HIGH VISCOSITY |



Maximum Fill  
Volume= 7.5ml

Two Piece Child  
Resistant Tab



BACK VIEW

**TABLE OF RAW MATERIAL USED**

| ITEM | COMPONENT     | PART NUMBER | MATERIAL      |
|------|---------------|-------------|---------------|
| 1    | SPRAY INSERT  | PE001       | ACETAL        |
|      | SPRAY INSERT  | PE002       | ACETAL        |
|      | SPRAY INSERT  | PE003       | ACETAL        |
| 2    | ACTUATOR      | MA053       | ACETAL        |
|      | ACTUATOR      | MA054       | ACETAL        |
|      | ACTUATOR      | MA055       | ACETAL        |
| 3    | PUMP VP4E-70  | PD011       | SEE DRAWING   |
|      | PUMP VP4E-100 | PD012       | SEE DRAWING   |
|      | PUMP VP4E-130 | PD013       | SEE DRAWING   |
| 4    | BODY          | MBV004      | POLYPROPYLENE |
| 5    | CLOSURE       | MC001       | POLYPROPYLENE |
| 6    | BUTTON        | MT000       | ACETAL        |



Rev. A 07/02/21 Add Max Fill  
Volume=13ml  
Rev. B 12/11/21 Added 3N  
insert

**PROPRIETARY AND CONFIDENTIAL**  
THE INFORMATION CONTAINED IN THIS  
DRAWING IS THE SOLE PROPERTY OF  
PACKAGING CONCEPTS ASSOCIATES. ANY  
REPRODUCTION IN PART OR AS A WHOLE  
WITHOUT THE WRITTEN PERMISSION OF  
PACKAGING CONCEPTS ASSOCIATES IS  
PROHIBITED.

|   |                      |
|---|----------------------|
| DIMENSIONS ARE IN INCHES<br>TOLERANCES:<br>FRACTIONAL ±<br>ANGULAR: MACH ± BEND ±<br>TWO PLACE DECIMAL ±<br>THREE PLACE DECIMAL ± |                      |
| MATERIAL  | FINISH               |
| NEXT ASSY   | USED ON              |
| APPLICATION   | DO NOT SCALE DRAWING |

|           |          |
|-----------|----------|
| NAME      | DATE     |
| DRAWN GLF | 09/21/20 |
| CHECKED   |          |
| ENG APPR. |          |
| MFG APPR. |          |
| Q.A.      |          |
| COMMENTS: |          |

**PACKAGING CONCEPTS ASSOCIATES**  
301 Ella Grasso Avenue  
Torrington, Connecticut 06790

**MPAK**  
**0.25 FL OZ**  
**CHILD RESISTANT BUTTON**  
VP4E PUMP

|               |                         |               |
|---------------|-------------------------|---------------|
| SIZE <b>A</b> | DWG. NO. <b>ARTV904</b> | REV. <b>B</b> |
| SCALE: 1:1    | WEIGHT:                 | SHEET 1 OF 1  |